

## TECHNICAL SHEET

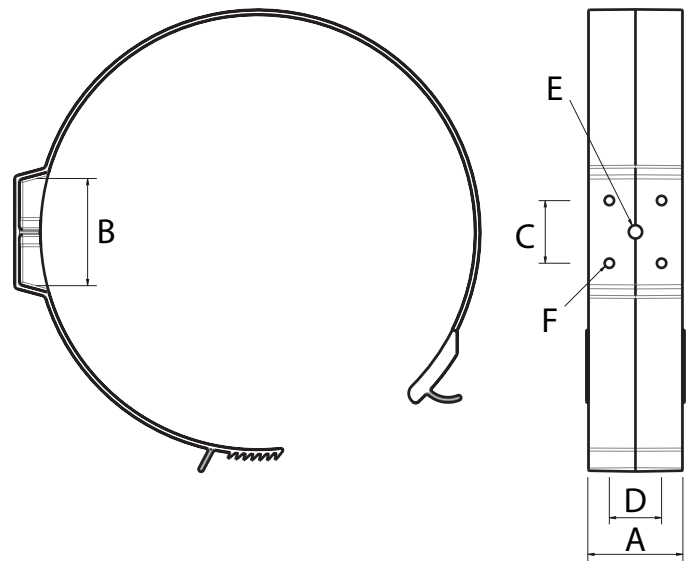


Collar for wall/ceiling fixing of the EPE system components.  
Single pack.



	A	B	C	D	E	F	Cod.
<b>DN 125</b>	45	50	30	25	M8	Ø 4,5	7046275
<b>DN 160</b>	45	50	30	25	M8	Ø 4,5	7046277
[mm]							

- Ceiling/wall mounting on M8 threaded rod or by screws
- Quick-release interlocking mechanism
- Material: Polypropylene
- Operating temperature range Min -30 °C, Max + 60 °C
- Reaction to fire: E Euroclass (EN 13501)



	D	G	B	H	h	b x s	cs	Cod.
<b>DN 200</b>	225	M10	288	253	132	20 x 1,5	M6	7046278
[mm]								

- Ceiling/wall mounting on M10 threaded rod
- Quick-release clamp mechanism with two screws
- Material: galvanised steel
- Noise insulating lining, EPDM rubber, black
- Age resistant lining
- Noise insulating lining according to DIN 4109

